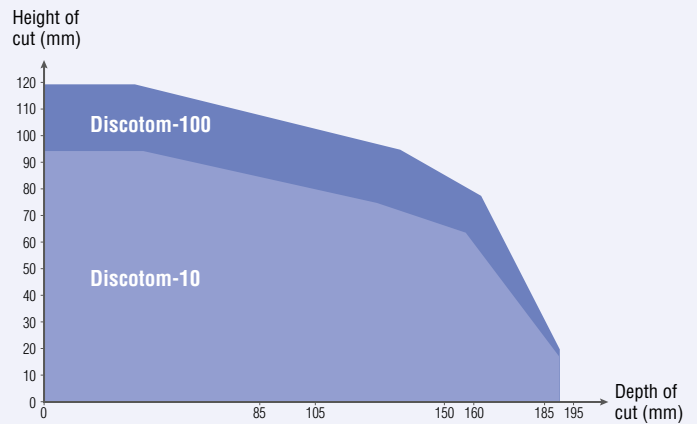
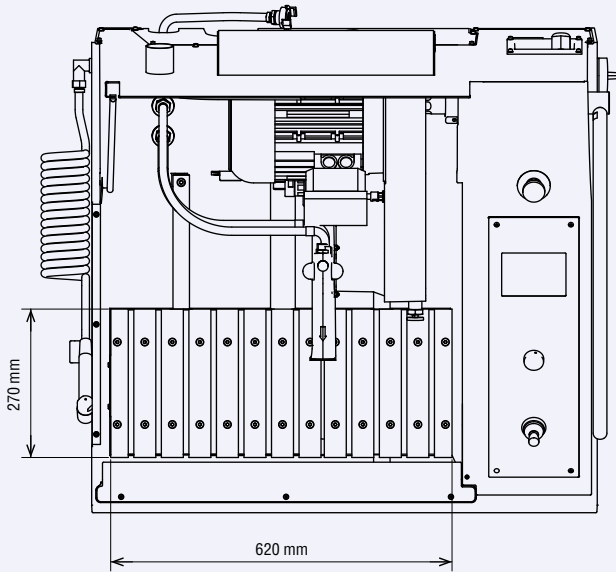


TECHNICAL DATA - Discotom-100/-10

CUTTING CAPACITY



Subject

Specification

Metric / Imperial

Cutting capacity (max)

Discotom-100 (ø 300 mm/12" cut-off wheels)

ø 119 mm / 4.68" with 61 mm / 2.4" flange

Discotom-10 (ø 250 mm/10" cut-off wheels)

ø 94 mm / 3.70" with 61 mm / 2.4" flange

PHYSICAL SPECIFICATIONS

Cutting motor	Nominal load (S1)	Intermittent (S3)
Discotom-100 / 50-60 Hz	4 kW / 5.4 HP	4.7 kW / 6.4 HP
Discotom-10 / 50 Hz	2.5 kW / 3.4 HP	3.2 kW / 4.3 HP
Discotom-10 / 60 Hz	3 kW / 4 HP	3.8 kW / 5.1 HP
Cut-off wheel for Discotom-100	Diameter x Thickness x Centre-hole Variable speed	300 x 2.0 x 32 mm / 12 x 0.08 x 1.26" 1500 - 3000 rpm
Cut-off wheel for Discotom-10	Diameter x Thickness x Centre-hole Fixed speed	250 x 1.5 x 32 mm / 10 x 0.06 x 1.26" 2850 rpm
Positioning & Feed	Positioning range (of cut-off wheel) Max. height of sample underneath cut-off wheel Max. positioning speed Feed Speed range (adjustable in steps of)	Z= 165 mm 80 mm @ 300 mm wheel 105 mm @ 250 mm wheel Y= 20 mm/s / 0.8"/s, X= 10 mm/s / 0.4"/s 0.05 - 2.5 mm/s / 2 - 100 mils/s (0.05 mm/s / 2 mils/s)
Cutting table		
Fixed cutting table	Width x Depth y-table range	620x270 mm / 24.4 x 10.6" 200 mm / 7.9"
x-table (option)	Width x Depth x-table range	282x270 mm / 11.1 x 10.6" 100 mm / 3.9"
T-slots		10 mm / 0.39"
Dimensions and weight	Width Depth Height Weight	920 mm / 36" 890 mm / 35" 685 mm / 27" 200 kg / 440 lbs

SPECIFICATIONS

Discotom-100 with fixed table

Automatic cut-off machine with variable spindle speed and variable automatic feed. 4.0 kW motor. For 300 mm (12") cut-off wheels. Cutting table with 10 mm T-slots. Recirculation cooling unit (05766xxx) and clamping tools are ordered separately. Optional table unit (06266101) can be used.

Cat. no:	Voltage
06156129	3 x 200-240 V / 50-60 Hz
06156146	3 x 380-480 V / 50-60 Hz

Discotom-100 with automatic x-table

Automatic cut-off machine with automatic x-table, variable spindle speed and variable automatic feed. 4.0 kW motor. For 300 mm (12") cut-off wheels. Cutting table with 10 mm T-slots. Recirculation cooling unit (05766xxx) and clamping tools are ordered separately. Optional table unit (06266101) can be used.

Cat. no:	Voltage
06156229	3 x 200-240 V / 50-60 Hz
06156246	3 x 380-480 V / 50-60 Hz

Discotom-10 with fixed table

Automatic cut-off machine with fixed spindle speed (2.850 rpm) and variable automatic feed. 2.2 kW motor. For 250 mm (10") cut-off wheels. Cutting table with 10 mm T-slots. Recirculation cooling unit (05766xxx) and clamping tools are ordered separately. Optional table unit (06266101) can be used.

Cat. no:	Voltage
06256129	3 x 200 V / 50 Hz
06256130	3 x 200-210 V / 60 Hz
06256135	3 x 220-230 V / 50 Hz
06256136	3 x 220-240 V / 60 Hz
06256146	3 x 380-400 V / 50 Hz
06256147	3 x 380-415 V / 60 Hz
06256154	3 x 460-480 V / 60 Hz

Discotom-10 with automatic x-table

Automatic cut-off machine with automatic x-table, fixed spindle speed (2.850 rpm) and variable automatic feed. 2.2 kW motor. For 250 mm (10") cut-off wheels. Cutting table with 10 mm T-slots. Recirculation cooling unit (05766xxx) and clamping tools are ordered separately. Optional table unit (06266101) can be used.

Cat. no:	Voltage
06256229	3 x 200 V / 50 Hz
06256230	3 x 200-210 V / 60 Hz
06256235	3 x 220-230 V / 50 Hz
06256236	3 x 220-240 V / 60 Hz
06256246	3 x 380-400 V / 50 Hz
06256247	3 x 380-415 V / 60 Hz
06256254	3 x 460-480 V / 60 Hz

Struers' equipment is in conformity with the provisions of the applicable International Directives and their appurtenant Standards. (Please contact your local supplier for details)

Struers' products are subject to constant product development. Therefore, we reserve the right to introduce changes in our products without notice.

ACCESSORIES

Quick clamping tool for 10 mm T-slots

For securing the workpiece on the left or right side of the cut-off wheel. Complete with backstop. Jaw movement: 50 mm. Jaw height: 58 mm.
Left
Right

Cat.no
05876909
05876910



Quick clamping tool with short stroke for 10 mm T-slots

For securing regular workpieces on left or right side of cut-off wheel. Complete with backstop and spanner. Jaw movement: 12 mm. Jaw height: 58 mm.
Left
Right

05876935
05876937



Spring clamp for 10 mm T-slots, right

For retaining the workpiece on the right side of the cut-off wheel. Complete with backstop and spanner.

05136903



Vertical quick clamping tool for 10 mm T-slots, left

For securing the workpiece on the left side of the cut-off wheel. Max sample height: 50 mm.

05876925



High vertical quick clamping tool for 10 mm T-slots, left

For securing the workpiece on the left side of the cut-off wheel. Max sample height: 85 mm. Min sample height: 35 mm.

05876933



Jaw blocks for 10 mm T-slots

Single prism type
for use with vertical quick clamping tool (05876925, 05876933)
Prism type
Rubber-coated
Grooved
for use with quick clamping tool (05876909, 05876910, 05876935, 05876937)

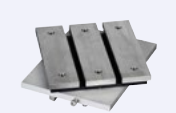
05876926
05876913
05876915
05876917



Vertical clamping tool for 10 mm T-slots

For clamping irregularly shaped workpieces on the cutting table. Clamping height is adjustable up to 58 mm. Complete with operating key and one flat clamping shoe.

05116905



T-slot turnable for 10 mm T-slots

0-90 degree turnable for angular cutting. For use with various 10 mm T-slot clamping tools. Table height 42 mm. Table size 185x140 mm.

05876905

Please see separate brochure for full list of clamping tools.

Safety extension box for Discotom-100/-10

For cutting of long samples protruding the cutting chamber, to be mounted on the left hand side of Discotom-100/-10. For samples with a maximum size of HxW: 119 x 195 mm / 4.7 x 7.7". Dimensions WxDxH: 469 x 427 x 307 mm. For Discotom-100 from serial no.: 61510048
For Discotom-10 from serial no.: 62510050

06156901

Line laser

Laser alignment aid. Visualizes cutting line.

06156912

Replacement stainless steel bands

For Discotom-100 /-10 cutting table. 270 x 40 mm. Set of 2.

R6150200

Table unit for Discotom

With compartment for recirculation cooling unit, drawer for tools and shelves for cut-off wheels. Width: 930 mm, depth: 950 mm, height: 800 mm.

06266101



Extension for table unit

Can be mounted on both right and left hand side. Width: 400 mm, depth 950 mm

06266901



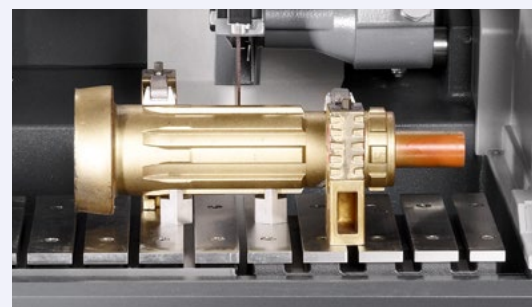
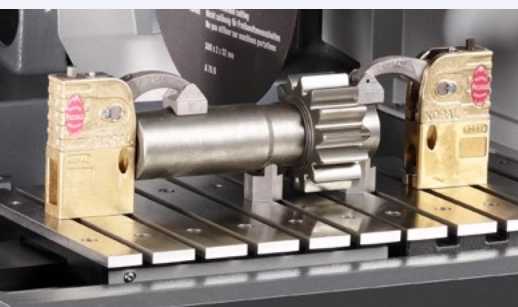
Cooling System 4

With 100 l tank, large pump, Cooli-1, filter bag and adapter plate, consists of: 05766905, 057660xx, 05761116, 05766928, 05766927

Voltage

1 x 100 V / 50 Hz
1 x 100-120 V / 60 Hz
1 x 220-240 V / 50Hz
1 x 220-240 V / 60 Hz

05766716
05766723
05766722
05766724



FLEXIBLE CLAMPING